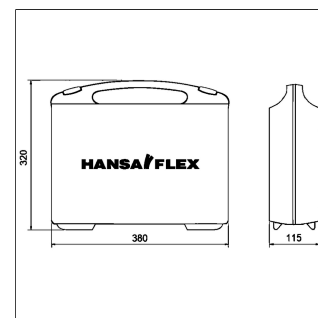


## Características

Modelo	Fluid extraction set in plastic case
Material	environmentally neutral polypropylene
Customs tariff number	90275000



## Âmbito de fornecimento

1x Sampling hose (2 meters for vacuum pump) HKVAKPS06-1-2000-K  
1x Vacuum pump with adapter HKVAK-PUMPE-MET  
1x Adapter DN38  
1x Adapter DN55  
1x Hose cutter for sampling hose KR-SCHNEIDER  
1x Sample bottle, glass 250 ml with lid HKPROBEF-GL250D  
1x Sample bottle, glass 100 ml with lid HKPROBEF-GL100D  
1x Placeholder for an Oil-analyse set (not included)  
incl. product description and instructions for use

## Artigo

**Designação**  
HK FES-PR PK

## Accessory belongs to

OELANALYSE SET 2	Kit de análise de óleo mineral
OELANALYSE SET 3	Kit de análise de óleo biológico
OELANALYSE SET 4	Kit de análise de óleo de transmissão

## Acessórios

HK PROBEF GL	Frasco de amostras, vidro
OELANALYSE SET 3	Kit de análise de óleo biológico
HK VAK PS06-1-2000-K	Probenschlauch für Vakuumpumpe
KR-SCHNEIDER	