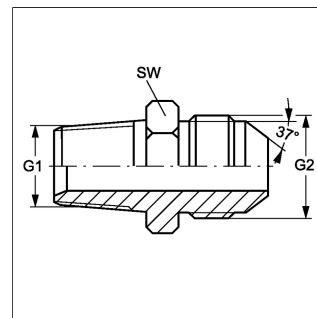


### Características

|                        |                              |
|------------------------|------------------------------|
| Modelo                 | reto                         |
| Conexão 1              | rosca macho NPT              |
| Tipo de vedação 1      | vedação roscada              |
| Conexão 2              | rosca macho UN/UNF           |
| Tipo de vedação 2      | cone exterior 74°            |
| Material               | aço                          |
| Proteção de superfície | com revestimento galvanizado |
| Norma                  | ISO 8434-2<br>SAE J 514      |
| Tipo                   | acessório de rosca           |
| Customs tariff number  | 73079910                     |



### Artigo

| Designação     | G1           | G2             | SW<br>(mm) |
|----------------|--------------|----------------|------------|
| GE HN 02 HJ 03 | 1/8" -27 NPT | 3/8" -24 UNF   | 12         |
| GE HN 02 HJ 04 | 1/8" -27 NPT | 7/16" -20 UNF  | 12         |
| GE HN 02 HJ 05 | 1/8" -27 NPT | 1/2" -20 UNF   | 14         |
| GE HN 02 HJ 06 | 1/8" -27 NPT | 9/16" -18 UNF  | 17         |
| GE HN 02 HJ 08 | 1/8" -27 NPT | 3/4" -16 UNF   | 19         |
| GE HN 04 HJ    | 1/4" -18 NPT | 7/16" -20 UNF  | 14         |
| GE HN 04 HJ 05 | 1/4" -18 NPT | 1/2" -20 UNF   | 14         |
| GE HN 04 HJ 06 | 1/4" -18 NPT | 9/16" -18 UNF  | 17         |
| GE HN 04 HJ 08 | 1/4" -18 NPT | 3/4" -16 UNF   | 19         |
| GE HN 06 HJ    | 3/8" -18 NPT | 9/16" -18 UNF  | 19         |
| GE HN 06 HJ 04 | 3/8" -18 NPT | 7/16" -20 UNF  | 19         |
| GE HN 06 HJ 05 | 3/8" -18 NPT | 1/2" -20 UNF   | 19         |
| GE HN 06 HJ 08 | 3/8" -18 NPT | 3/4" -16 UNF   | 19         |
| GE HN 06 HJ 10 | 3/8" -18 NPT | 7/8" -14 UNF   | 24         |
| GE HN 06 HJ 12 | 3/8" -18 NPT | 1.1/16" -12 UN | 27         |
| GE HN 08 HJ 04 | 1/2" -14 NPT | 7/16" -20 UNF  | 24         |
| GE HN 08 HJ 05 | 1/2" -14 NPT | 1/2" -20 UNF   | 24         |
| GE HN 08 HJ 06 | 1/2" -14 NPT | 9/16" -18 UNF  | 24         |
| GE HN 08 HJ    | 1/2" -14 NPT | 3/4" -16 UNF   | 24         |
| GE HN 08 HJ 10 | 1/2" -14 NPT | 7/8" -14 UNF   | 24         |
| GE HN 08 HJ 12 | 1/2" -14 NPT | 1.1/16" -12 UN | 27         |
| GE HN 08 HJ 16 | 1/2" -14 NPT | 1.5/16" -12 UN | 36         |
| GE HN 12 HJ 04 | 3/4" -14 NPT | 7/16" -20 UNF  | 27         |
| GE HN 12 HJ 06 | 3/4" -14 NPT | 9/16" -18 UNF  | 27         |
| GE HN 12 HJ 08 | 3/4" -14 NPT | 3/4" -16 UNF   | 27         |
| GE HN 12 HJ 10 | 3/4" -14 NPT | 7/8" -14 UNF   | 27         |
| GE HN 12 HJ    | 3/4" -14 NPT | 1.1/16" -12 UN | 27         |
| GE HN 12 HJ 14 | 3/4" -14 NPT | 1.3/16" -12 UN | 32         |
| GE HN 12 HJ 16 | 3/4" -14 NPT | 1.5/16" -12 UN | 36         |
| GE HN 16 HJ    | 1" -11,5 NPT | 1.5/16" -12 UN | 36         |
| GE HN 16 HJ 12 | 1" -11,5 NPT | 1.1/16" -12 UN | 36         |

| Designação     | G1               | G2             | SW |
|----------------|------------------|----------------|----|
| GE HN 16 HJ 20 | 1" -11,5 NPT     | 1.5/8" -12 UN  | 46 |
| GE HN 16 HJ 24 | 1" -11,5 NPT     | 1.7/8" -12 UN  | 50 |
| GE HN 20 HJ 12 | 1.1/4" -11,5 NPT | 1.1/16" -12 UN | 46 |
| GE HN 20 HJ 16 | 1.1/4" -11,5 NPT | 1.5/16" -12 UN | 46 |
| GE HN 20 HJ    | 1.1/4" -11,5 NPT | 1.5/8" -12 UN  | 46 |
| GE HN 20 HJ 24 | 1.1/4" -11,5 NPT | 1.7/8" -12 UN  | 50 |
| GE HN 20 HJ 32 | 1.1/4" -11,5 NPT | 2.1/2" -12 UN  | 65 |
| GE HN 24 HJ 12 | 1.1/2" -11,5 NPT | 1.1/16" -12 UN | 50 |
| GE HN 24 HJ 16 | 1.1/2" -11,5 NPT | 1.5/16" -12 UN | 50 |
| GE HN 24 HJ 20 | 1.1/2" -11,5 NPT | 1.5/8" -12 UN  | 50 |
| GE HN 24 HJ    | 1.1/2" -11,5 NPT | 1.7/8" -12 UN  | 50 |
| GE HN 24 HJ 32 | 1.1/2" -11,5 NPT | 2.1/2" -12 UN  | 65 |
| GE HN 32 HJ 24 | 2" -11,5 NPT     | 1.7/8" -12 UN  | 65 |
| GE HN 32 HJ    | 2" -11,5 NPT     | 2.1/2" -12 UN  | 65 |

SW = tamanho da chave

### Outras versões

|             |                 |
|-------------|-----------------|
| GE HN HJ VA | Conexão roscada |
|-------------|-----------------|

### Acessórios

|         |                         |
|---------|-------------------------|
| TF BAND | Fita de vedação em PTFE |
|---------|-------------------------|