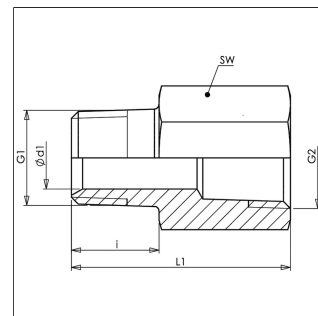
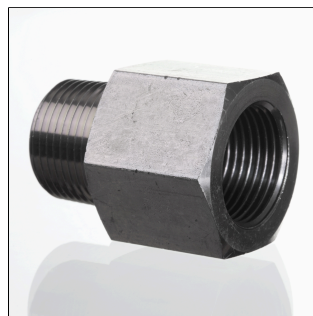


### Características

|                        |                              |
|------------------------|------------------------------|
| Modelo                 | reto                         |
| Conexão 1              | rosca macho NPT              |
| Tipo de vedação 1      | vedação roscada              |
| Conexão 2              | rosca fêmea NPT              |
| Tipo de vedação 2      | vedação roscada              |
| Material               | aço                          |
| Proteção de superfície | com revestimento galvanizado |
| Norma                  | SAE J 514                    |
| Tipo                   | conexão roscada              |
| Customs tariff number  | 73079910                     |



### Artigo

| Designação    | G1               | G2               | L1<br>(mm) | SW<br>(mm) | Ø d1<br>(mm) | i<br>(mm) |
|---------------|------------------|------------------|------------|------------|--------------|-----------|
| G HN 02 IN    | 1/8" -27 NPT     | 1/8" -27 NPT     | 26.4       | 17         | 4.8          | 9.7       |
| G HN 02 IN 04 | 1/8" -27 NPT     | 1/4" -18 NPT     | 30.7       | 19         | 4.8          | 9.7       |
| G HN 02 IN 06 | 1/8" -27 NPT     | 3/8" -18 NPT     | 32.1       | 22         | 4.8          | 9.7       |
| G HN 02 IN 08 | 1/8" -27 NPT     | 1/2" -14 NPT     | 38.2       | 27         | 4.8          | 9.7       |
| G HN 04 IN 02 | 1/4" -18 NPT     | 1/8" -27 NPT     | 21.6       | 17         | 7            | 14.2      |
| G HN 04 IN    | 1/4" -18 NPT     | 1/4" -18 NPT     | 35.3       | 19         | 7            | 14.2      |
| G HN 04 IN 06 | 1/4" -18 NPT     | 3/8" -18 NPT     | 36.6       | 22         | 7            | 14.2      |
| G HN 04 IN 08 | 1/4" -18 NPT     | 1/2" -14 NPT     | 42.7       | 27         | 7            | 14.2      |
| G HN 04 IN 12 | 1/4" -18 NPT     | 3/4" -14 NPT     | 44.2       | 36         | 7            | 14.2      |
| G HN 06 IN 02 | 3/8" -18 NPT     | 1/8" -27 NPT     | 21.3       | 19         | 7            | 14.2      |
| G HN 06 IN 04 | 3/8" -18 NPT     | 1/4" -18 NPT     | 35.2       | 19         | 10.3         | 14.2      |
| G HN 06 IN    | 3/8" -18 NPT     | 3/8" -18 NPT     | 36.6       | 22         | 10.3         | 14.2      |
| G HN 06 IN 08 | 3/8" -18 NPT     | 1/2" -14 NPT     | 42.7       | 27         | 10.3         | 14.2      |
| G HN 08 IN 02 | 1/2" -14 NPT     | 1/8" -27 NPT     | 27.9       | 27         | 7            | 19        |
| G HN 08 IN 04 | 1/2" -14 NPT     | 1/4" -18 NPT     | 27.9       | 27         | 10.3         | 19        |
| G HN 08 IN 06 | 1/2" -14 NPT     | 3/8" -18 NPT     | 27.9       | 22         | 13.5         | 19        |
| G HN 08 IN    | 1/2" -14 NPT     | 1/2" -14 NPT     | 47.5       | 27         | 13.5         | 19        |
| G HN 08 IN 12 | 1/2" -14 NPT     | 3/4" -14 NPT     | 49         | 36         | 13.5         | 19        |
| G HN 08 IN 16 | 1/2" -14 NPT     | 1" -11,5 NPT     | 55.3       | 41         | 13.5         | 19        |
| G HN 12 IN 04 | 3/4" -14 NPT     | 1/4" -18 NPT     | 29.7       | 27         | 10.3         | 19        |
| G HN 12 IN 06 | 3/4" -14 NPT     | 3/8" -18 NPT     | 29.7       | 27         | 13.5         | 19        |
| G HN 12 IN 08 | 3/4" -14 NPT     | 1/2" -14 NPT     | 29.7       | 27         | 16.6         | 19        |
| G HN 12 IN    | 3/4" -14 NPT     | 3/4" -14 NPT     | 49         | 36         | 18           | 19        |
| G HN 12 IN 16 | 3/4" -14 NPT     | 1" -11,5 NPT     | 55.4       | 41         | 18           | 19        |
| G HN 12 IN 20 | 3/4" -14 NPT     | 1.1/4" -11,5 NPT | 57.5       | 50         | 18           | 19        |
| G HN 16 IN 04 | 1" -11,5 NPT     | 1/4" -18 NPT     | 34.5       | 36         | 10.3         | 23.9      |
| G HN 16 IN 06 | 1" -11,5 NPT     | 3/8" -18 NPT     | 34.5       | 36         | 13.5         | 23.9      |
| G HN 16 IN 08 | 1" -11,5 NPT     | 1/2" -14 NPT     | 34.5       | 36         | 16.6         | 23.9      |
| G HN 16 IN 12 | 1" -11,5 NPT     | 3/4" -14 NPT     | 34.5       | 36         | 22.2         | 23.9      |
| G HN 16 IN 20 | 1" -11,5 NPT     | 1.1/4" -11,5 NPT | 62.5       | 50         | 23.8         | 23.9      |
| G HN 20 IN 08 | 1.1/4" -11,5 NPT | 1/2" -14 NPT     | 37.3       | 46         | 17.69        | 24.6      |
| G HN 20 IN 12 | 1.1/4" -11,5 NPT | 3/4" -14 NPT     | 37.3       | 46         | 22.2         | 24.6      |

| Designação    | G1               | G2               | L1   | SW | Ø d1 | i    |
|---------------|------------------|------------------|------|----|------|------|
| G HN 20 IN 16 | 1.1/4" -11,5 NPT | 1" -11,5 NPT     | 37.3 | 46 | 27.8 | 24.6 |
| G HN 20 IN 24 | 1.1/4" -11,5 NPT | 1.1/2" -11,5 NPT | 63.5 | 60 | 31.7 | 24.6 |
| G HN 24 IN 12 | 1.1/2" -11,5 NPT | 3/4" -14 NPT     | 39.9 | 50 | 22.2 | 25.4 |
| G HN 24 IN 16 | 1.1/2" -11,5 NPT | 1" -11,5 NPT     | 39.9 | 50 | 27.8 | 25.4 |
| G HN 24 IN 20 | 1.1/2" -11,5 NPT | 1.1/4" -11,5 NPT | 64   | 50 | 38   | 25.4 |
| G HN 32 IN 16 | 2" -11,5 NPT     | 1" -11,5 NPT     | 44.5 | 65 | 29   | 26.2 |
| G HN 32 IN 20 | 2" -11,5 NPT     | 1.1/4" -11,5 NPT | 44.5 | 65 | 38   | 26.2 |
| G HN 32 IN 24 | 2" -11,5 NPT     | 1.1/2" -11,5 NPT | 44.5 | 65 | 43.7 | 26.2 |

SW = tamanho da chave

### Outras versões

|            |                 |
|------------|-----------------|
| G HN IN VA | Conexão roscada |
|------------|-----------------|

### Acessórios

|         |                         |
|---------|-------------------------|
| TF BAND | Fita de vedação em PTFE |
|---------|-------------------------|